

# Loop-Powered AC Voltage Transmitter

## DIN RAIL / PANEL MOUNT, AVERAGE RMS



CR4620  
Single Element Transmitter  
1.0 to 600 VAC Input Range



CR4640  
Two Element Transmitter  
1.0 to 600 VAC Input Range

CR Magnetics has a wide selection of Potential Transformers to extend the range of any part. Contact factory for more information.

The **CR4600** Series, Loop-Powered AC Voltage Transmitters are designed to provide a 4 - 20 mADC output that is proportional to the average RMS AC voltage input. These devices are best suited for general applications, such as fixed frequency voltage supplies.

### Applications

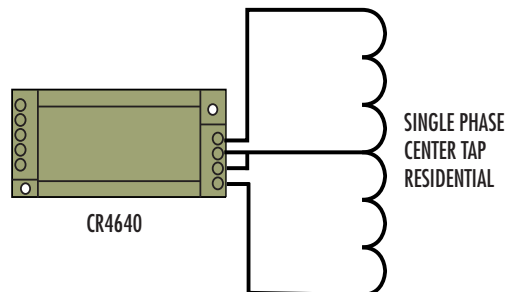
- Monitor for over/under voltage
- Sense phase loss
- Power monitoring
- Multi-point instrumentation needs

### Features

- 35mm DIN Rail or Panel Mount
- Outputs isolated from inputs
- One or two element
- Connection diagram printed on case

### Regulatory Agencies

- Recognized to meet UL 61010B-1
- Constructed to meet CAN/CSA-C22.2, No. 61010-1-2004
- Meets requirement of IEC 61010-1 and BS EN 61010-1



### TYPICAL APPLICATION RESIDENTIAL POWER

PART NUMBERS			
CR4620	-		Single element with 4 - 20 mADC output
CR4640	-		Two element with 4 - 20 mADC output

□ Add suffix for input range

- 50** - 0-50 VAC
- 150** - 0-150 VAC
- 250** - 0-250 VAC
- 500** - 0-500 VAC \*

Ranges available up to and including 600 VAC

\* UL Recognized up to 300 Vac

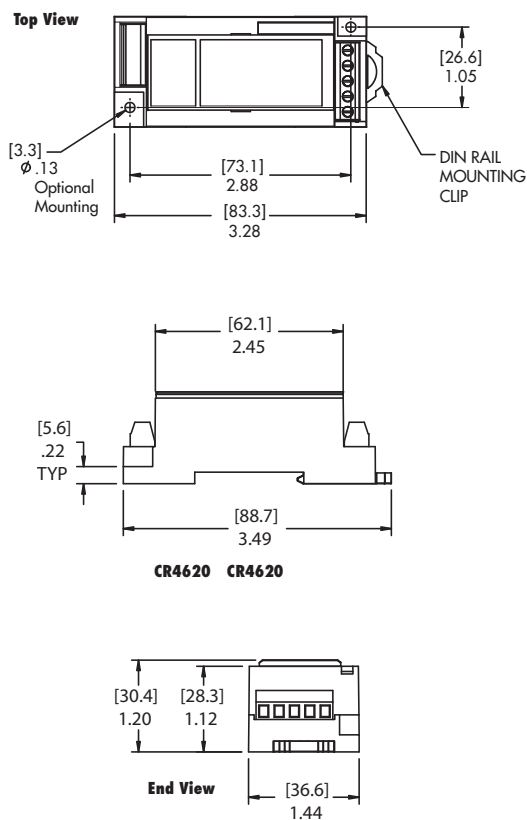
Transducers

# Loop-Powered AC Voltage Transmitter

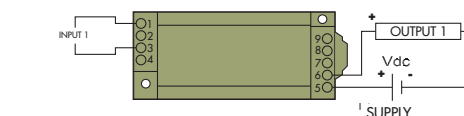
DIN RAIL / PANEL MOUNT, AVERAGE RMS

## SPECIFICATIONS

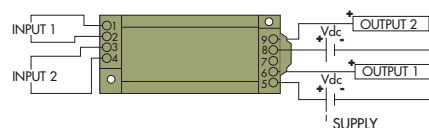
Basic Accuracy:.....	0.5%	Cleaning:.....	Water-dampened cloth
Calibration:.....	Average Sensing, RMS Calibrated	MTBF:.....	Greater than 100 K hours
Thermal Drift:.....	500 PPM/°C	Frequency Range:....	20 Hz - 400 Hz
Operating Temperature:.....	0°C to + 60°C	Typical Load:.....	0 - 300 Ω @ 24 VDC
Installation Category:.....	CAT II	Relative Humidity:.....	5% to 95%, Non-Condensing
Vibration Tested To:.....	IEC 60068-2-6,1995	Torque Specs.:.....	3.0 inch lbs. (0.4Nm)
Pollution Degree:.....	2	Weight:.....	0.5 lbs.
Response Time: .....	250 ms		
Altitude:.....	2000 meter max.		
Insulation Voltage:.....	2500 VDC		
Supply Voltage:.....	Loop Powered 24 Vdc ±10%		



## OUTLINE DRAWING



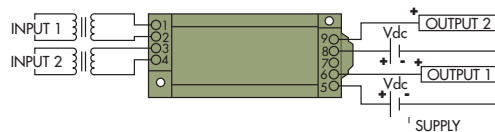
**CR4620** One Element 4 - 20 mADC Output



**CR4640** Two Element 4 - 20 mADC Output



**CR4620** One Element with External Voltage Transformers \*\*



**CR4640** Two Element with External Voltage Transformers \*\*

## CONNECTION DIAGRAM

\*\* USE CR MAGNETICS LOW AND MEDIUM VOLTAGE POTENTIAL TRANSFORMERS (SECTION G)

NOTE: The building installation must have a switch or circuit-breaker that is in close proximity and within easy reach of the operator. The switch or circuit breaker shall be marked as the disconnecting device for the equipment.

Transducers